

⊗ Davit lifting point

SPECIFICATIONS	
Length	2.82 m
Width	1.59 m
Height	0.55 m
Dry weight	30 kg
Max. PAX	4
CE Category	C
Max. load	365 kg
Max. power	7.3kW / 10HP
Shaft length	short

AST - Yachts & Composites

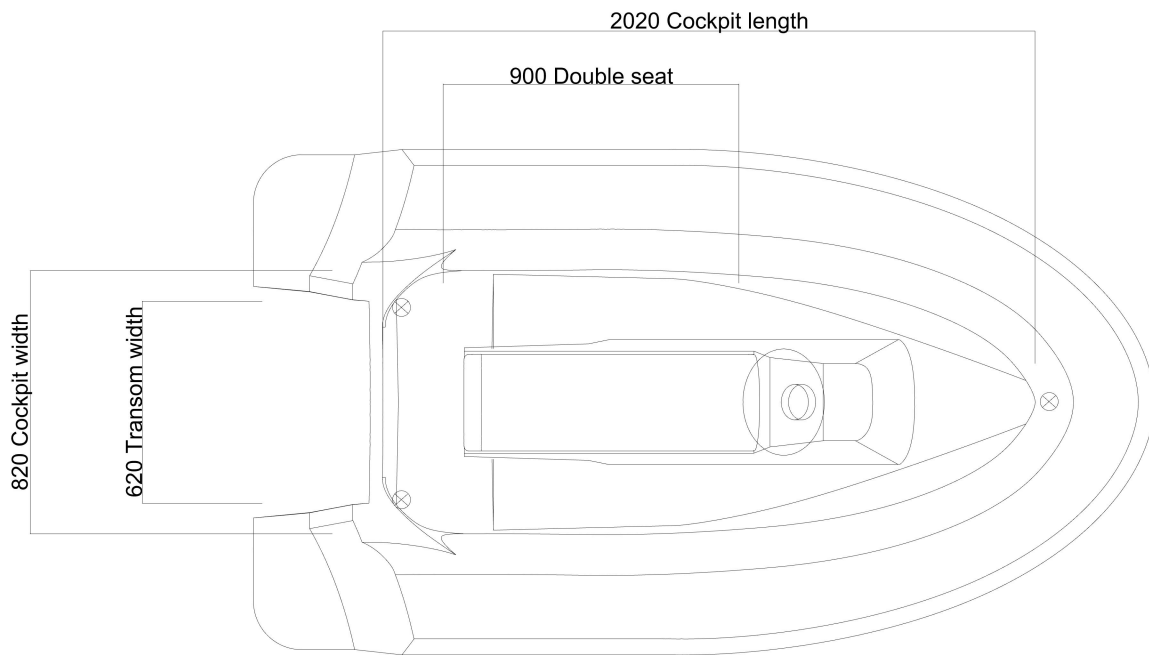
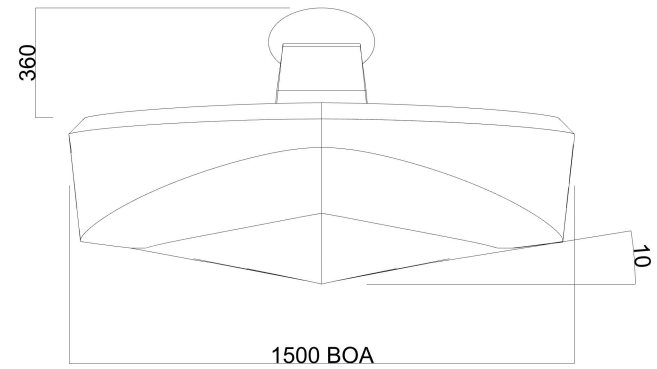
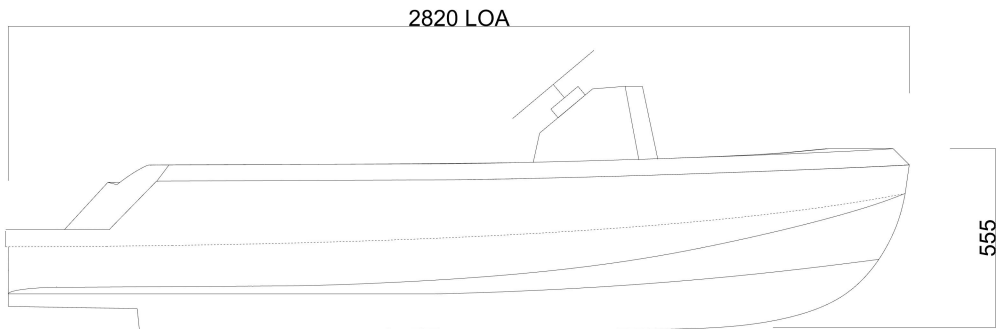
TITLE
ASTender 280

NOTES - Drawing not to scale

DATE 25.07.2024

SCALE

SHEET 1 of 1



SPECIFICATIONS	
Length	2.82 m
Width	1.59 m
Height	0.9 m
Dry weight	45 kg
Max. PAX	4
CE Category	C
Max. load	365 kg
Max. power	7.3kW / 10HP
Shaft length	short

AST - Yachts & Composites

TITLE
ASTender 280 Jockey

NOTES - Drawing not to scale

DATE 25.07.2024	SCALE	SHEET 1 of 1
-----------------	-------	--------------

⊗ Davit lifting point